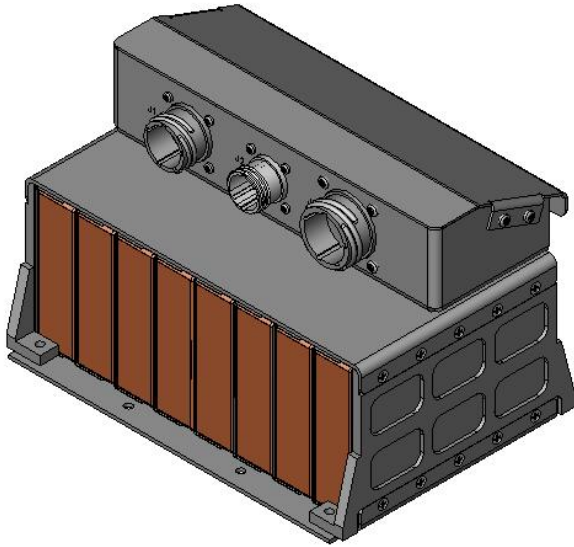




## *Model 9492 Aerospace Battery 28.8V / 30 Ah, Lithium Ion*



- *Space Qualified!*
- *Developed for the USAF /AFRL XSS-11 program*
- *Successfully launched in April, 2005*
- *Electronics control charge / discharge, perform cell balancing, and provide over-charge warning signal*

### *Specifications*

Nominal Output Voltage:	28.8 V
Continuous Output Current (max):	125 A
Ampere-hour Capacity:	30 Ah
Energy Storage Capacity:	864 Wh
Weight:	20.22 lbs
Volume:	409.52 cu in (max envelope)
Over-all Dimensions (max):	H: 6.25", W: 9.51", D: 6.50"
Operating Temperature Range:	-20°C to +50°C
Cell-level Energy Density:	335 Wh / liter
Cell-level Specific Energy:	145 Wh / kg
Cell-level Cycle Life:	>2000 Cycles

<b>Lithion, Inc.</b> 82 Mechanic Street Pawcatuck, CT 06379	<b>PH: 860-599-1100</b> <b>FAX: 860-599-5122</b> <a href="http://www.lithion.com">www.lithion.com</a>
---	---