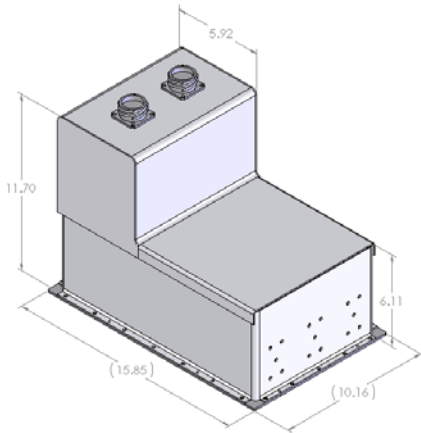




Model 9553HV Aerospace Battery 150V / 12 Ah, Lithium Ion



- *Designed for the X-37 Spaceplane*
- *Close ties to NASA Crew Exploration Vehicle and USAF Space Maneuver Vehicle*
- *Electronics monitor individual cells, control charge / discharge, perform cell balancing*

Specifications

Nominal Output Voltage:	150 V
Continuous Output Current (max):	60 A
Ampere-hour Capacity:	12 Ah
Energy Storage Capacity:	1814 Wh
Weight:	57.9 lbs
Volume:	1320 cu in (max envelope)
Over-all Dimensions (max):	H: 11.70", W: 10.16", D: 15.85"
Operating Temperature Range:	-20°C to +50°C
Cell-level Energy Density:	305 Wh / liter
Cell-level Specific Energy:	125 Wh / kg
Cell-level Cycle Life:	>2000 Cycles

Lithion, Inc.	PH:860-599-1100
82 Mechanic Street	FAX: 860-599-5122
Pawcatuck, CT 06379	www.lithion.com