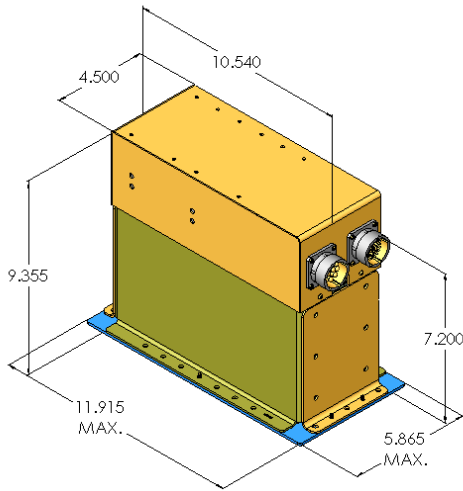




**Model L1147 Aerospace Battery**  
**28.8 V / 43 Ah, Lithium Ion**



- *Developed for satellite applications*
- *Electronics monitor cell voltages, control charge / discharge, perform cell balancing*

*Specifications*

Nominal Output Voltage:	28.8 V
Continuous Output Current:	40 A
Ampere-hour Capacity:	43 Ah
Energy Storage Capacity:	1238.4 Wh
Weight:	30 lbs
Volume:	443.47 cu in
Over-all Dimensions:	H: 9.35", W: 11.91", D: 5.86"
Operating Temperature Range:	-10°C to +40°C
Cell-level Energy Density:	340 Wh / liter
Cell-level Specific Energy:	142 Wh / kg
Cell-level Cycle Life:	>2000 Cycles

<b>Lithion, Inc.</b> <b>82 Mechanic Street</b> <b>Pawcatuck, CT 06379</b>	<b>PH: 860-599-1100</b> <b>FAX: 860-599-5122</b> <b>www.lithion.com</b>
---	---