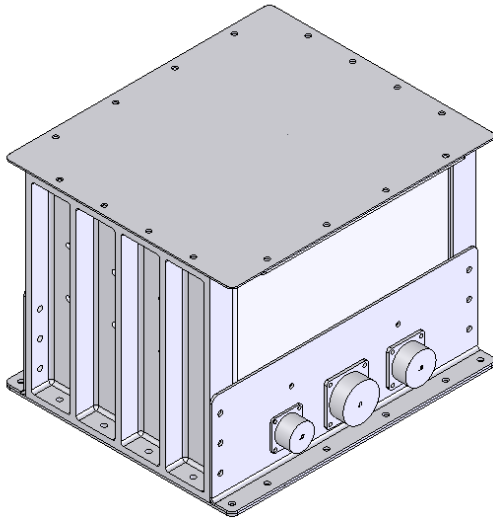




## *Model 9653 Aerospace Battery 28 V / 60 Ah, Lithium Ion*



- *Designed for the Spectrum ASTRO program*
- *Electronics monitor cell voltages, control charge / discharge, perform cell balancing*

### *Specifications*

Nominal Output Voltage:	28.8 V
Continuous Output Current (max):	40A
Ampere-hour Capacity:	60 Ah
Energy Storage Capacity:	1728 Wh
Weight:	20.32 kg
Volume:	1019.07 cu. In (max envelope)
Over-all Dimensions:	H: 8.78", W: 11.63", D: 9.98"
Operating Temperature Range:	-10°C to +40°C
Cell-level Energy Density:	335 Wh / liter
Cell-level Specific Energy:	145 Wh / kg
Cell-level Cycle Life:	>2000 Cycles

**Lithion, Inc.**      **PH: 860-599-1100**  
**82 Mechanic Street**      **FAX: 860-599-5122**  
**Pawcatuck, CT 06379**      **www.lithion.com**