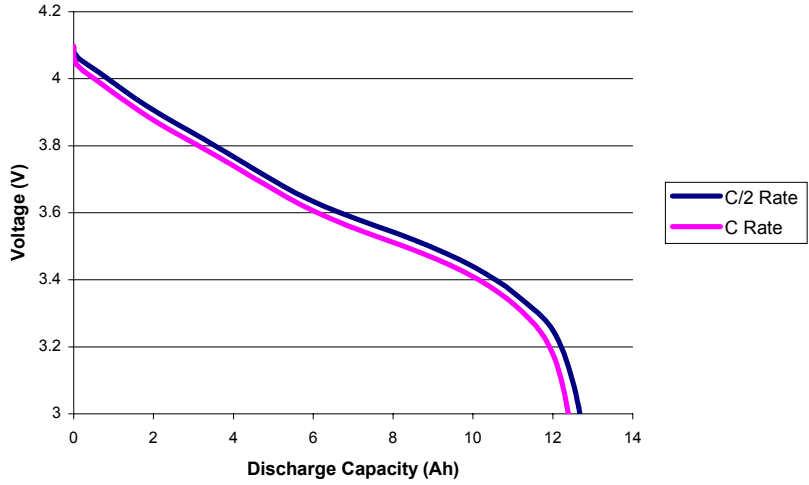




**Model NCP12-2  
3.6V, 12 Ah High Rate  
Lithium Ion Cell**

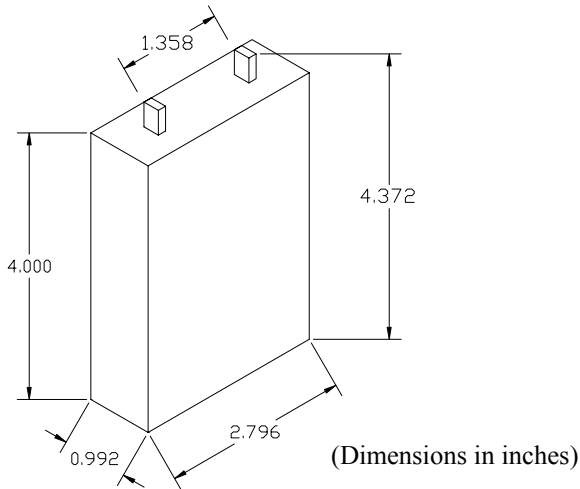


*Typical Discharge Curves*



*Performance Data*

*Physical Dimensions*



<b>Cathode:</b> Mixed Metal Oxide	<b>Nominal Voltage:</b> 3.6 VDC
<b>Anode:</b> Graphite	<b>Nominal Weight:</b> 0.422 kg
<b>Electrolyte:</b> EC:DMC:DEC:EMC	<b>Cycle Life:</b> > 2000 Cycles
<b>Nominal Capacity:</b> 12 Ah	<b>Energy Density:</b> 237 Wh/l
<b>Pulse Current:</b> 600 A (0.1 sec.)	<b>Specific Energy:</b> 102 Wh/kg
<b>Continuous Current:</b> 120 A (20 deg. C)	<b>Coulombic Efficiency:</b> 99%
<b>Dimensions: (mm)</b> 71W x 25T x 102H	<b>Fade Rate:</b> 0.01%/Cycle
<b>Operating Temperature Range:</b> -40C to +60C	

**Lithion, Inc.**  
82 Mechanic St.  
Pawcatuck, CT 06379  
PH:(860) 599-1100 FAX:(860) 599-5122  
www.lithion.com