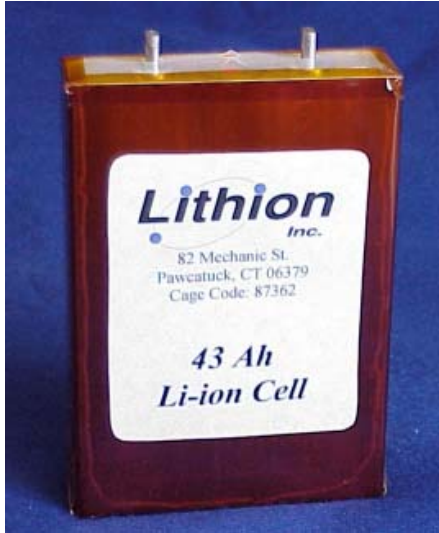
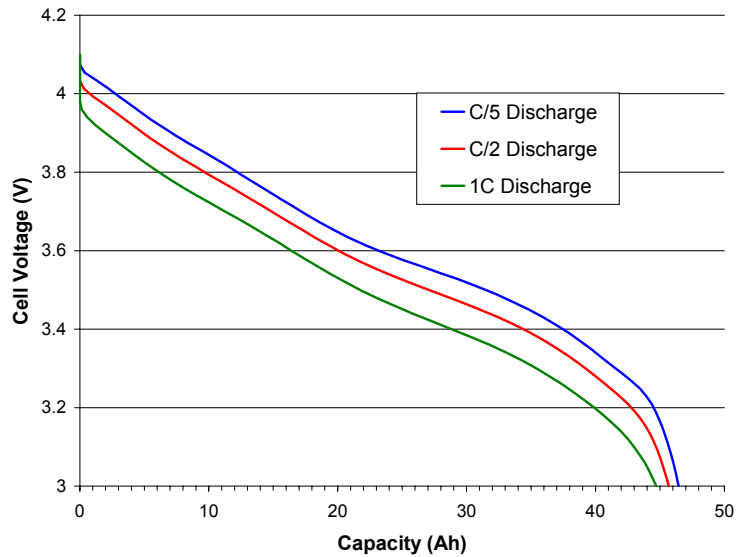




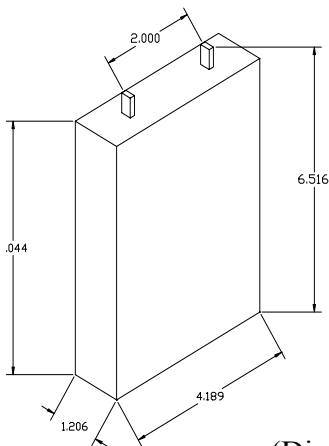
Model NCP43-1
3.6V, 43 Ah Lithium Ion Cell



Typical Discharge Curves



Physical Dimensions



(Dimensions in inches)

Performance Data

Cathode: Lithiated Nickel Cobalt Oxide	Nominal Voltage: 3.6 VDC
Anode: Graphite	Nominal Weight: 1.270 kg
Electrolyte: EC:DMC:DEC	Cycle Life: > 2000 Cycles
Nominal Capacity: 43 Ah	Energy Density: 340 Wh/l
Pulse Current: 344 A (0.1 sec.)	Specific Energy: 142 Wh/kg
Continuous Current: 86 A (20 deg C)	Coulombic Efficiency: 99%
Dimensions: (mm) 107W x 31T x 154H	Fade Rate: 0.02%/Cycle
Operating Temperature Range: -20C to +50C	

Lithion, Inc.
82 Mechanic St.
Pawcatuck, CT 06379
PH:(860) 599-1100 FAX:(860) 599-5122
www.lithion.com