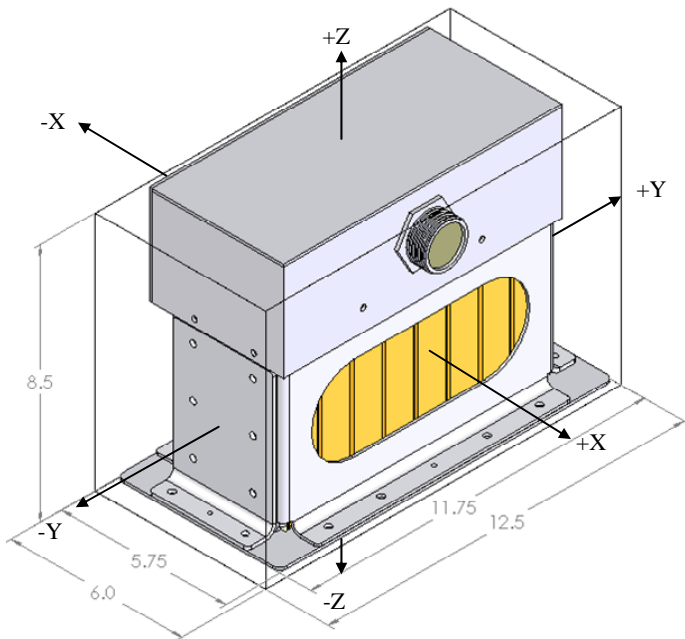




Model 9522 Aerospace Battery
28.8V / 30 Ah, Lithium Ion



- *Space Qualified!*
- *Designed for the NextSat program*
- *Electronics monitor individual cells, control charge/discharge, perform cell balancing*

Specifications

Nominal Output Voltage:	28.8 V
Continuous Output Current (max):	125 A
Ampere-hour Capacity:	30 Ah
Energy Storage Capacity:	864 Wh
Weight:	25 lbs (Approximately)
Volume:	574.28 cu in (max. envelope)
Over-all Dimensions (max):	H: 8.50", W: 11.75", L: 5.75"
Operating Temperature Range:	-20°C to +50°C
Cell-level Energy Density:	335 Wh / liter
Cell-level Specific Energy:	145 Wh / kg
Cell-level Cycle Life:	>800 Cycles

Yardney Technical Products, Inc.
82 Mechanic St.
Pawcatuck, CT 06379
PH: (860) 599-1100 FAX: (860) 599-3903
www.yardney.com